



NJ 312 ECML

- SKF Explorer

Cylindrical roller bearings, single row

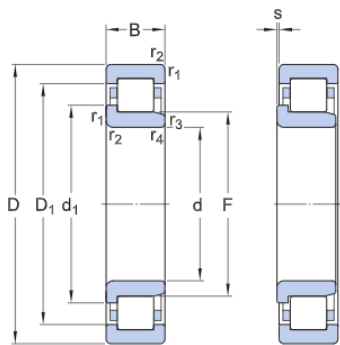
Bearing data

[Tolerances](#),
Normal (metric), P6, Normal (inch),
[Radial internal clearance](#),
cylindrical bore, tapered bore,
[Axial internal clearance](#),
NUP, NJ + HJ

Bearing interfaces

[Seat tolerances for standard conditions](#),
[Tolerances and resultant fit](#)

Technical specification

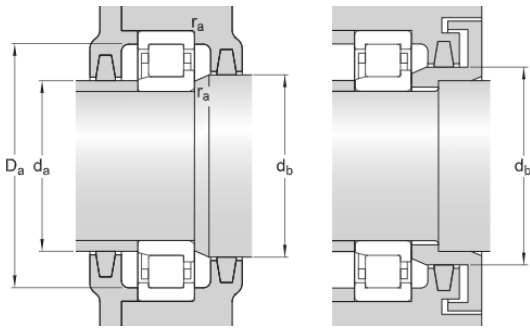


DIMENSIONS

d	60 mm	Bore diameter
D	130 mm	Outside diameter
B	31 mm	Width
d1	≈84.3 mm	Shoulder diameter of inner ring
D1	≈109.2 mm	Shoulder diameter of outer ring
F	77 mm	Chamfer dimension of loose flange ring
r1,2	min.2.1 mm	Chamfer dimension
r3,4	min.2.1 mm	Chamfer dimension
s	max.2.1 mm	Permissible axial displacement

ABUTMENT DIMENSIONS

da	min.72 mm	Diameter of spacer sleeve
da	max.74 mm	Diameter of spacer sleeve
db	min.87 mm	Diameter of shaft abutment
	max.118.1 mm	Diameter of



D_a	mm	housing abutment
r_a	max.2 mm	Radius of fillet

CALCULATION DATA

Basic dynamic load rating	C	173 kN
Basic static load rating	C_0	160 kN
Fatigue load limit	P_u	21.2 kN
Reference speed		5 600 r/min
Limiting speed		10 000 r/min
Minimum load factor	k_r	0.23
Limiting value	e	0.2
Axial load factor	Y	0.6

MASS

Mass	2.06 kg
------	---------

ASSOCIATED PRODUCTS

Angle ring	HJ 312 EC
------------	-----------